

UDŹWIG 6,3 t

idlineevita
sistemi di prevenzione
anticaduta

Digita qui il testo

idlineevita
sistemi di prevenzione
anticaduta

Movable platforms

RS 300

RS 300F

RS 300K

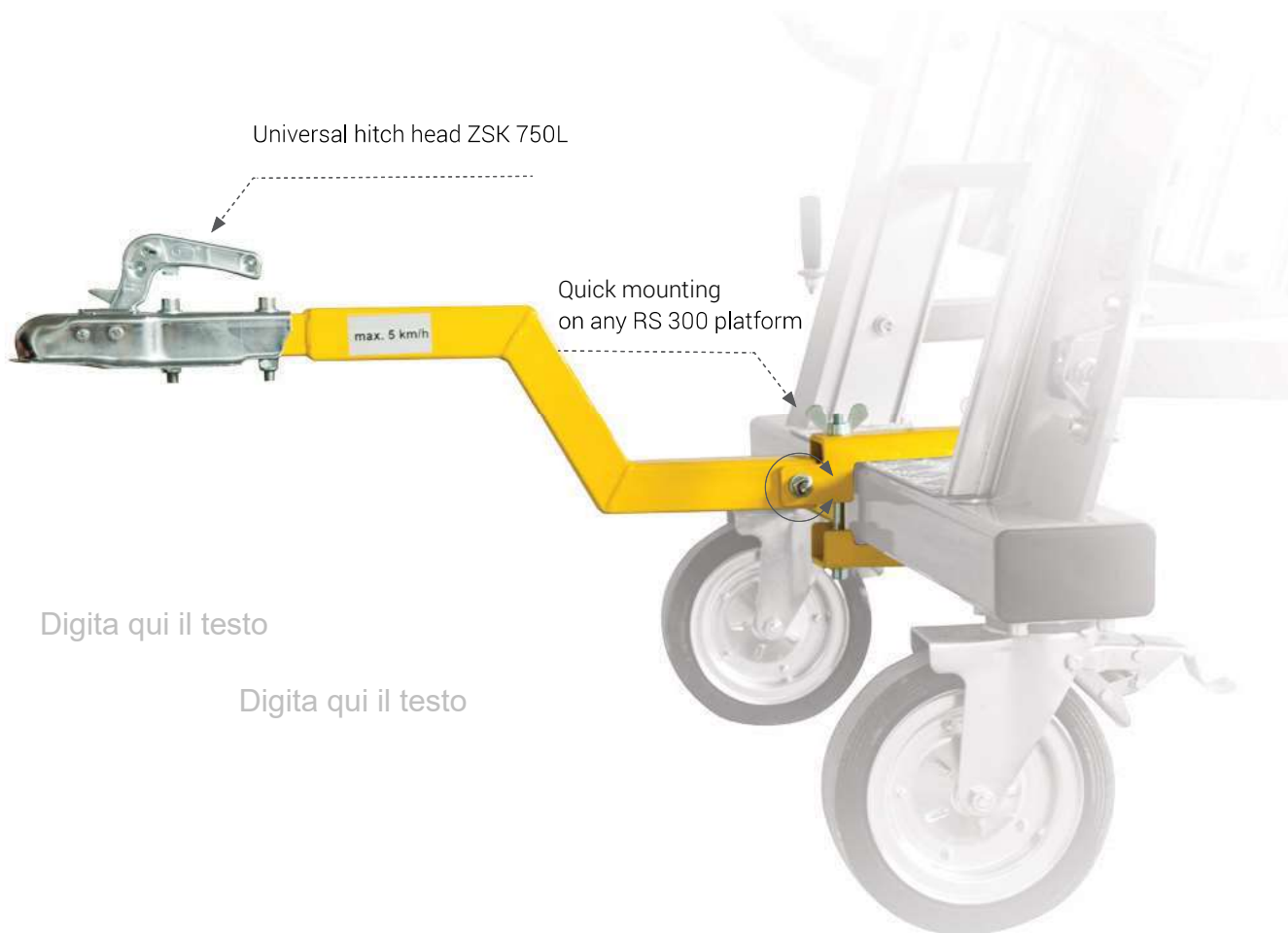
RS 300S

RS 300VC

RS 300 HAK

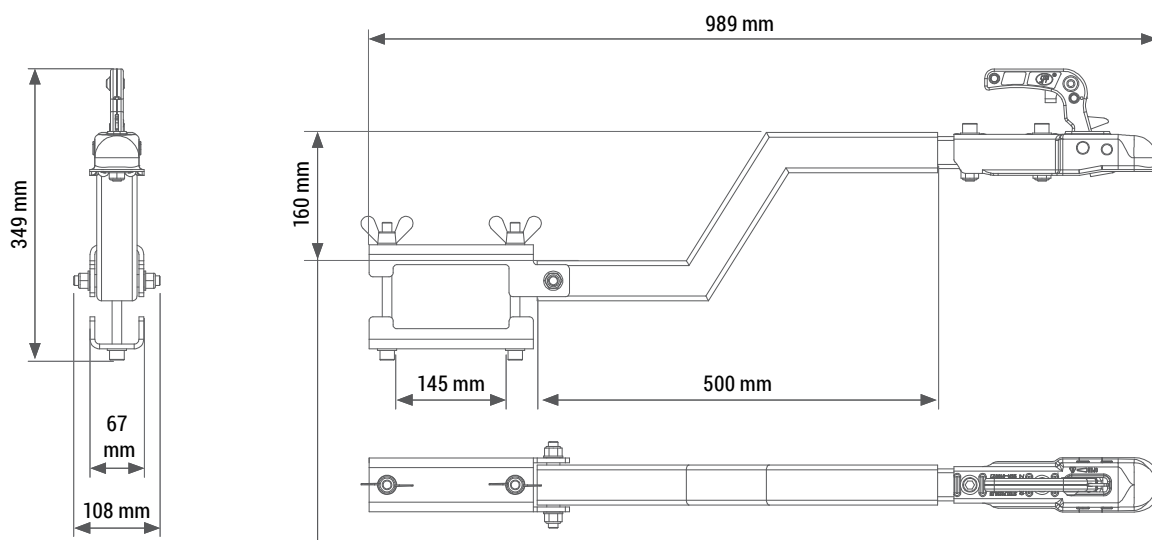
Movable tank platform

Ref. no.: RS 300 HAK



Digita qui il testo

Digita qui il testo



PARAMETERS

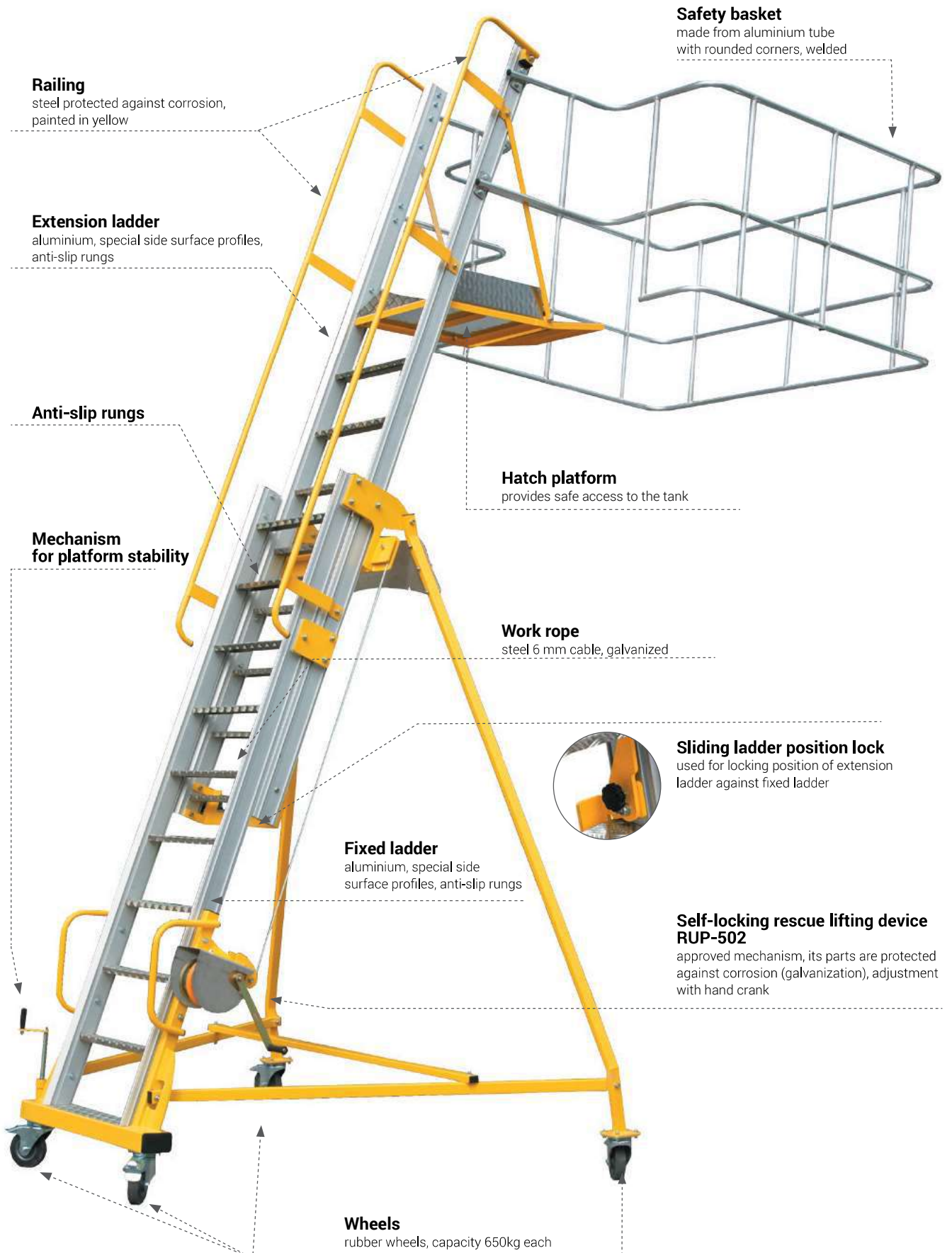
Material:	steel
Permissible speed:	max. 5 km/h

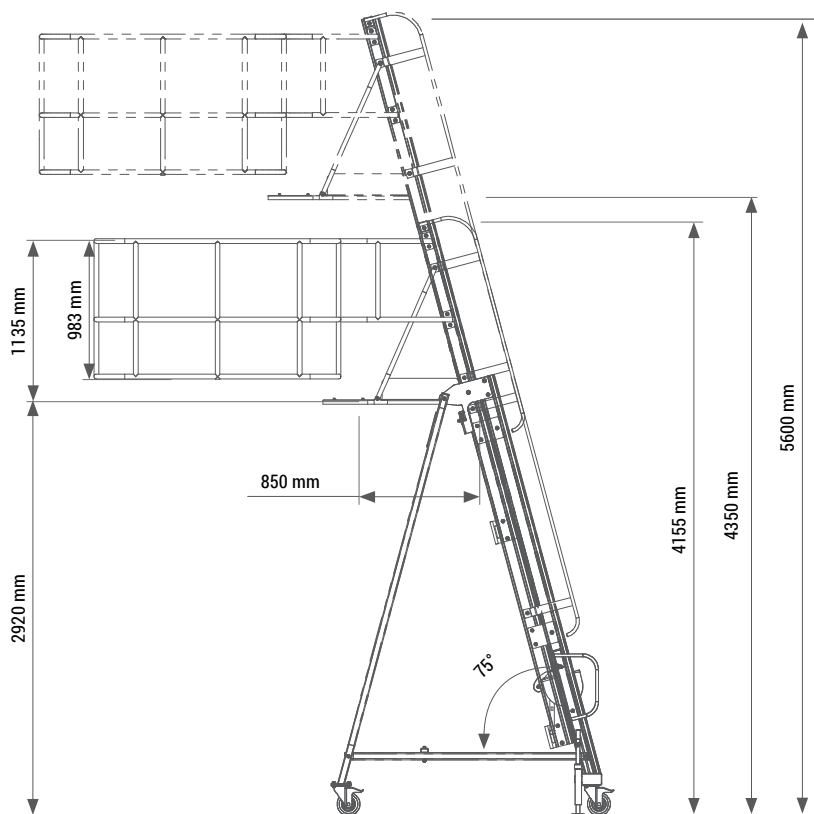


RS 300

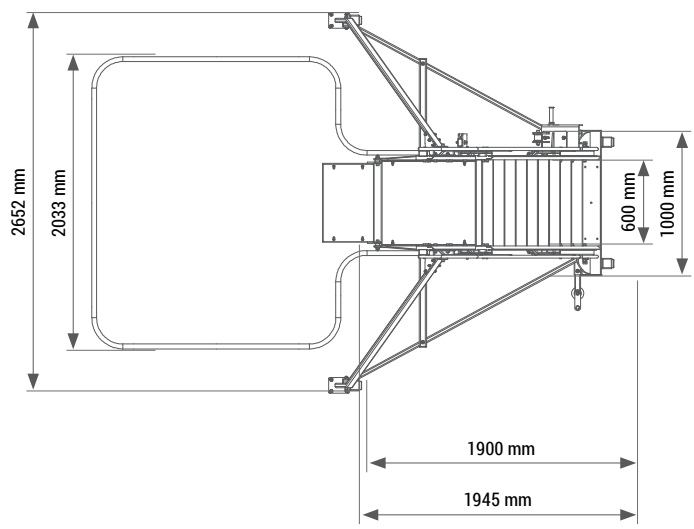
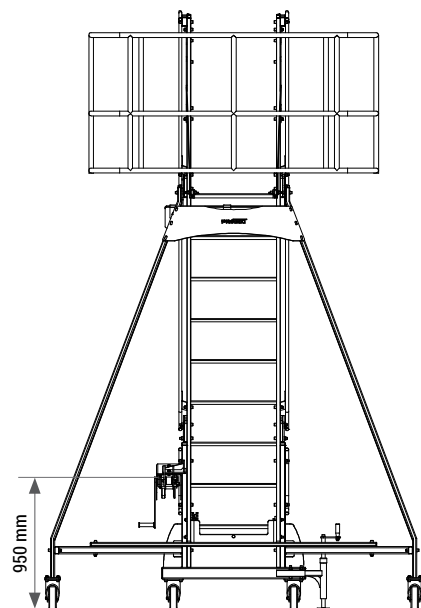
Movable tank platform

Ref. no.: RS 300





Possibility of platform customization upon Customer's request.



Moveable tank platform RS 300 F has been designed to enable safe access to loading hatches on tank trucks or container ships. The platform allows worker servicing the tank truck to get on its tank and carry out all the required works in a safe manner. The extension ladder of the platform enables working height adjustment to the desired height (tank truck height). The extension ladder motion against the fixed ladder is locked after working height is adjusted. This provides for additional protection against falling of the ladder. The hatch platform provides problem-free access from the ladder onto the tank truck. Compact structure is supported on six rubber wheels, and can be moved easily to other hatches and taken away from the truck when the work is completed. The structure has aluminium work place railing. Additional frame equipped with anchor point for personal fall protection equipment (e.g. retractable type fall arrester WR100) provides additional protection when ascending and descending the ladder, and working within the platform. Height of the railing provides protection against falls after tripping or slipping. The platform ladder is equipped with handrails for safe ascending and descending. The platform is made of high-durability aluminium alloy of special shape, and stable chassis is made of steel protected against the adverse weather conditions. The ladder rungs are made from textured stainless steel sheet preventing user's slippage.

PARAMETERS

Dimensions when folded:	3,55 m x 2,65 m x 4,30 m
Dimensions when unfolded:	3,95 m x 2,65 m x 5,60 m
Working height:	2,95 m to 4,35 m
Maximum load:	120 kg (1 user)
Weight:	160 kg

RS 300F

Movable tank platform

Ref. no.: RS 300F

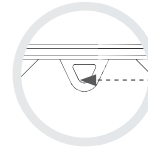
Safety basket

made from aluminium tube
with rounded corners, welded



FRAME WITH ANCHOR POINT

for attachment of personal fall protection equipment



ANCHOR POINT FOR PERSONAL FALL PROTECTION EQUIPMENT COMPLYING WITH - EN 795:2012, E.G. WR100:

Railing

steel, protected against corrosion,
painted in yellow

Extension ladder

aluminium, special side surface profiles,
anti-slip rungs

Hatch platform

provides safe access to the tank



Sliding ladder position lock

used for locking position of extension ladder against fixed ladder

Fixed ladder

aluminium, special side surface profiles,
anti-slip rungs

Self-locking rescue lifting device RUP-502

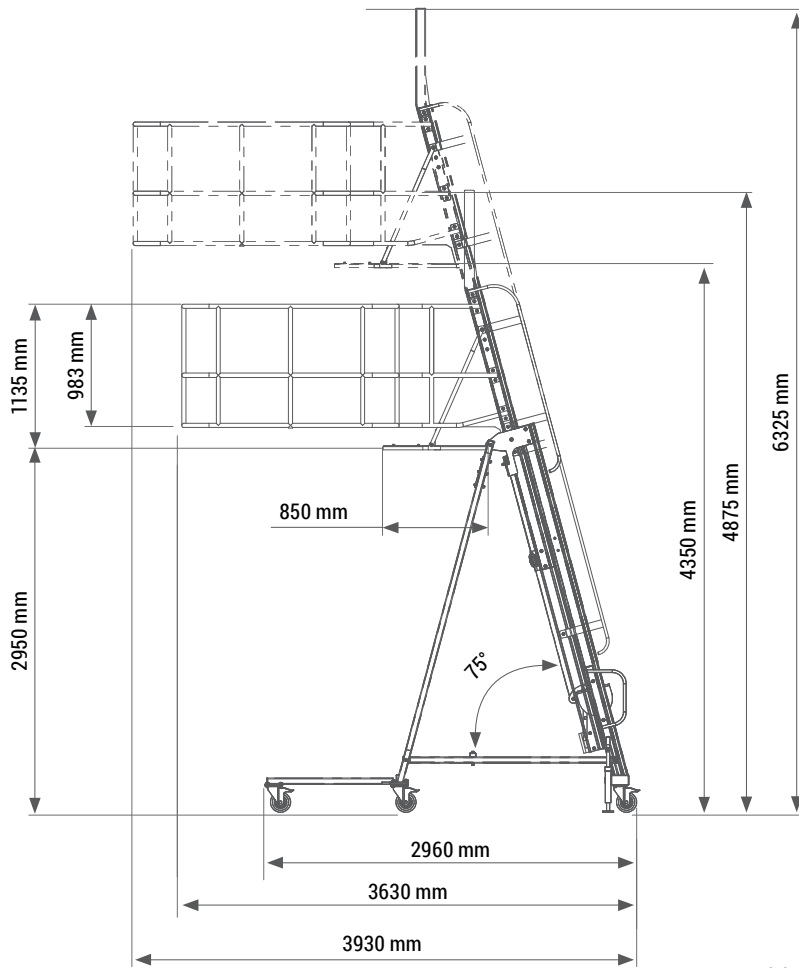
approved mechanism, its parts are protected against corrosion (galvanization), adjustment with hand crank

STABILISING SUPPORTS

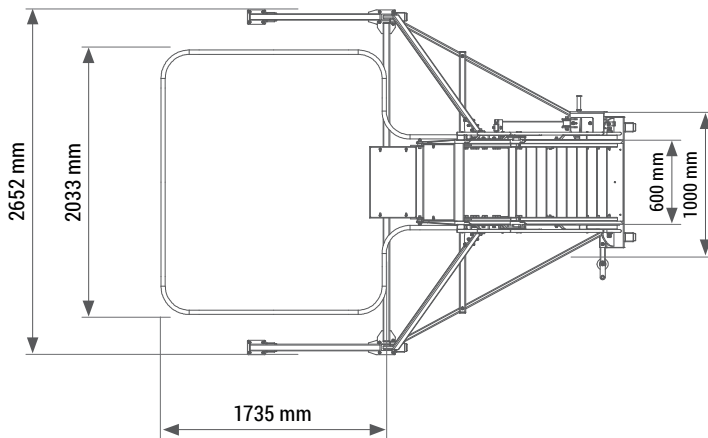
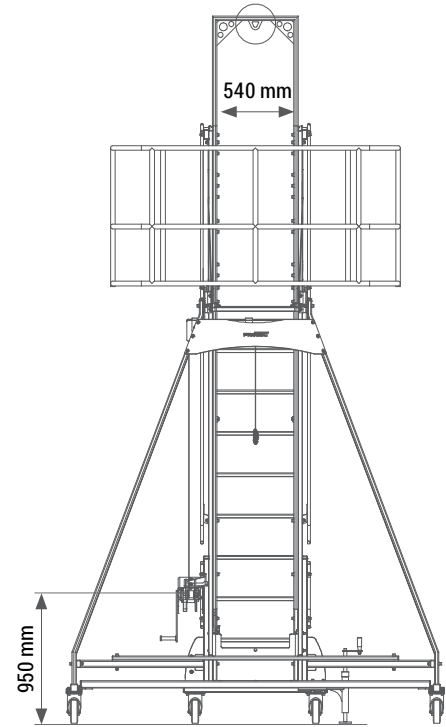
Mechanism for platform stability

STEEL AND RUBBER WHEELS

- 2 x fixed
- 4 x swivel wheels with brake



Possibility of platform customization upon Customer's request.



PARAMETERS

Dimensions when folded:	4,88 x 2,65 x 3,63 m
Dimensions when unfolded:	6,33 x 2,65 x 3,93 m
Working height:	2,95 m to 4,35 m
Maximum load:	140 kg (1 user)
Weight:	240 kg

Moveable tank platform RS 300 F has been designed to enable safe access to loading hatches on tank trucks or container ships. The platform allows worker servicing the tank truck to get on its tank and carry out all the required works in a safe manner.

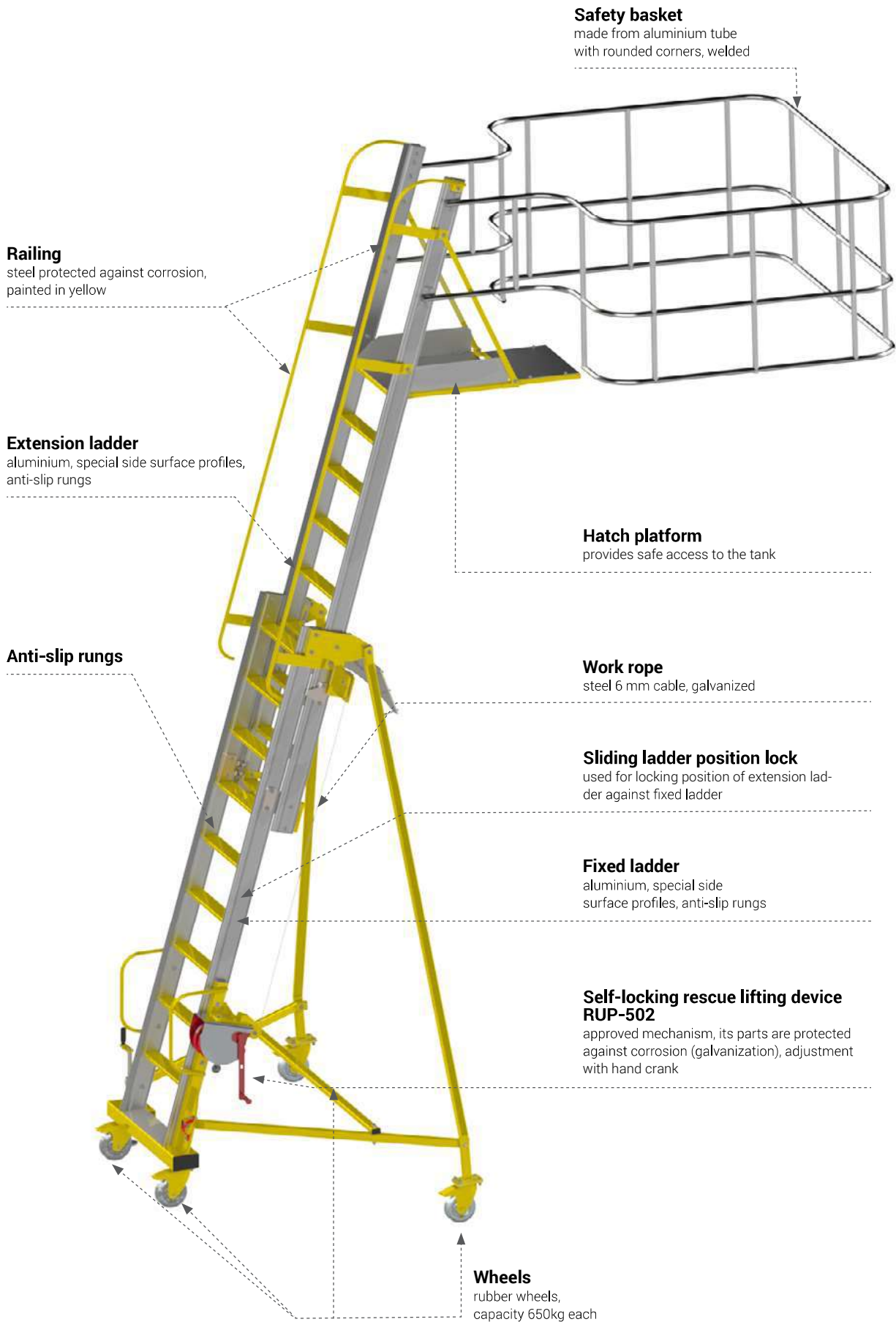
The extension ladder of the platform enables working height adjustment to the desired height (tank truck height). The extension ladder motion against the fixed ladder is locked after working height is adjusted. This provides for additional protection against falling of the ladder. The hatch platform provides problem-free access from the ladder onto the tank truck. Compact structure is supported on six rubber wheels, and can be moved easily to other hatches and taken away from the truck when the work is completed.

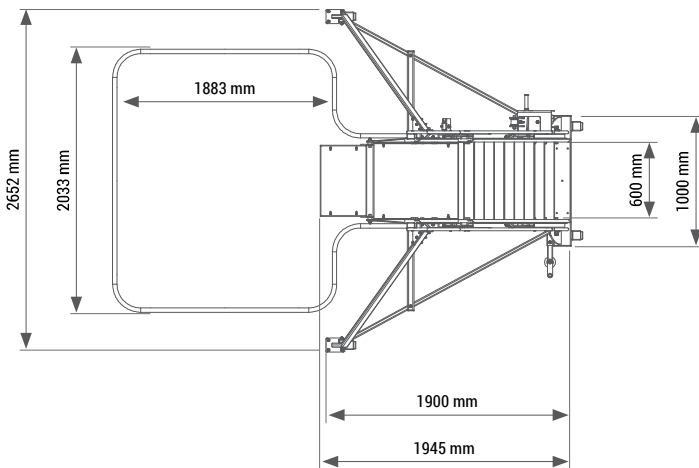
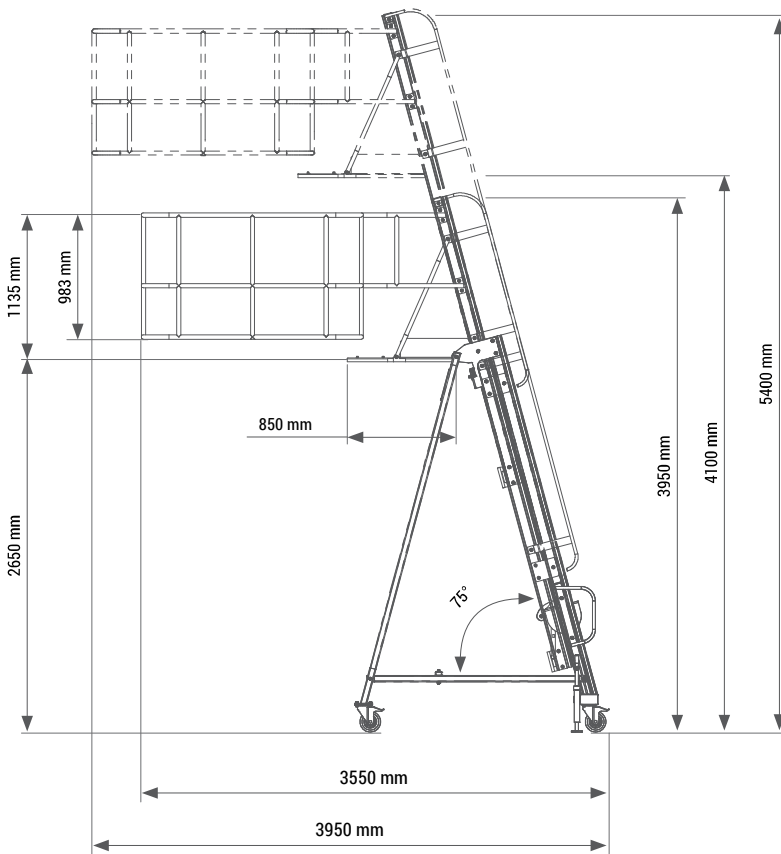
The structure has aluminium work place railing. Additional frame equipped with anchor point for personal fall protection equipment (e.g. retractable type fall arrester WR100) provides additional protection when ascending and descending the ladder, and working within the platform. Height of the railing provides protection against falls after tripping or slipping. The platform ladder is equipped with handrails for safe ascending and descending. The platform is made of high-durability aluminium alloy of special shape, and stable chassis is made of steel protected against the adverse weather conditions. The ladder rungs are made from textured stainless steel sheet preventing user's slippage.

RS 300K

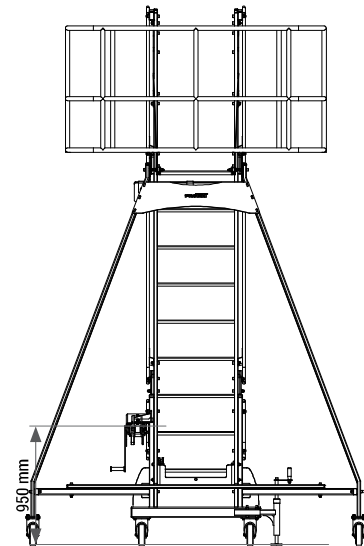
Movable tank platform

Ref. no.: RS 300 K





Possibility of platform customization upon Customer's request.



PARAMETERS

Dimensions when folded:	3,95 m x 2,65 m x 3,55 m
Dimensions when unfolded:	5,40 m x 2,65 m x 3,95 m
Working height:	2,65 m to 4,10 m
Maximum load:	120 kg (1 user)
Weight:	~ 160 kg

RS 300S

Movable tank platform

Ref. no.: RS 300S

Safety basket

made from aluminium tube
with rounded corners, welded



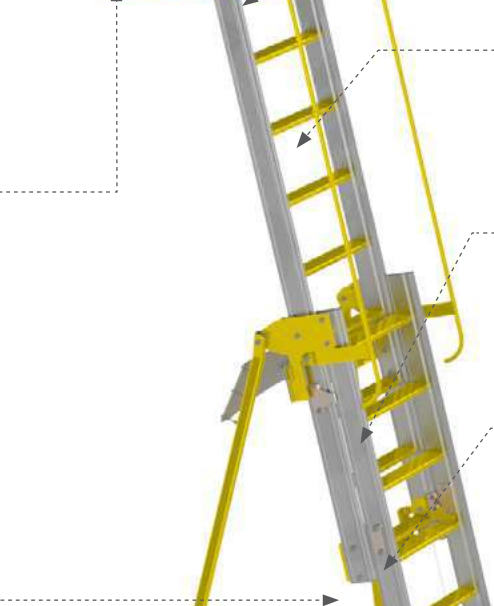
Railing

steel protected against corrosion,
painted in yellow



Extension ladder

aluminium, special side surface
profiles, anti-slip rungs

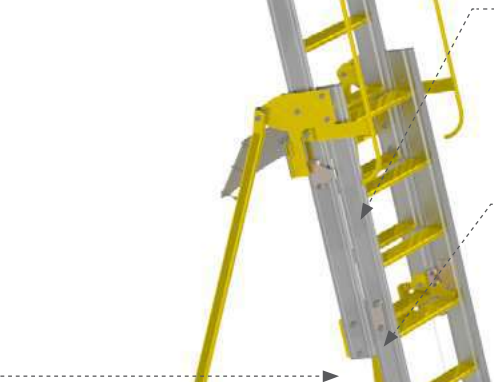


Hatch platform

provides safe access to the tank



Anti-slip rungs



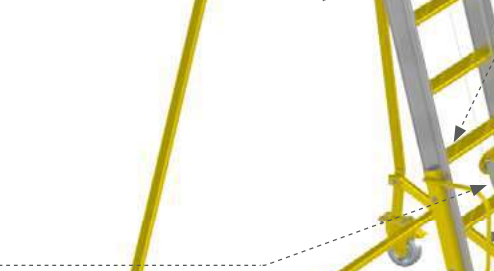
Work rope

steel 6 mm cable, galvanized



Fixed ladder

aluminium, special side
surface profiles, anti-slip rungs



Sliding ladder position lock

used for locking position of exten-
sion ladder against fixed ladder



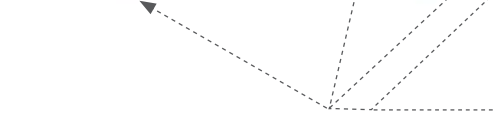
Self-locking rescue lifting device RUP-502

approved mechanism, its parts are protected
against corrosion (galvanization), adjustment
with hand crank



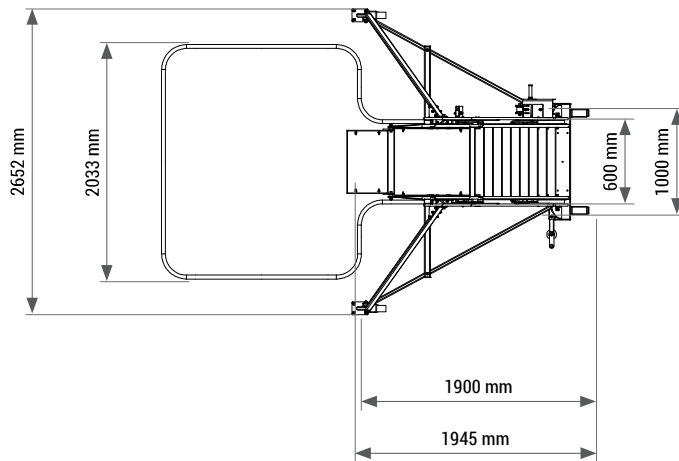
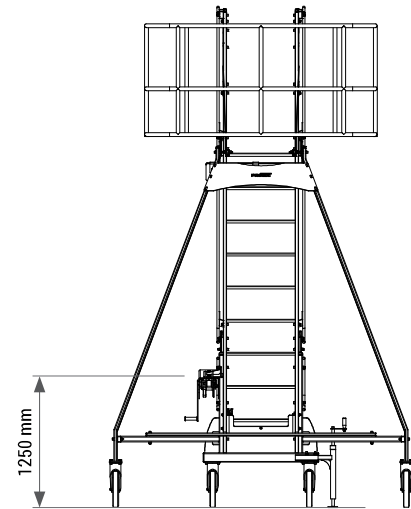
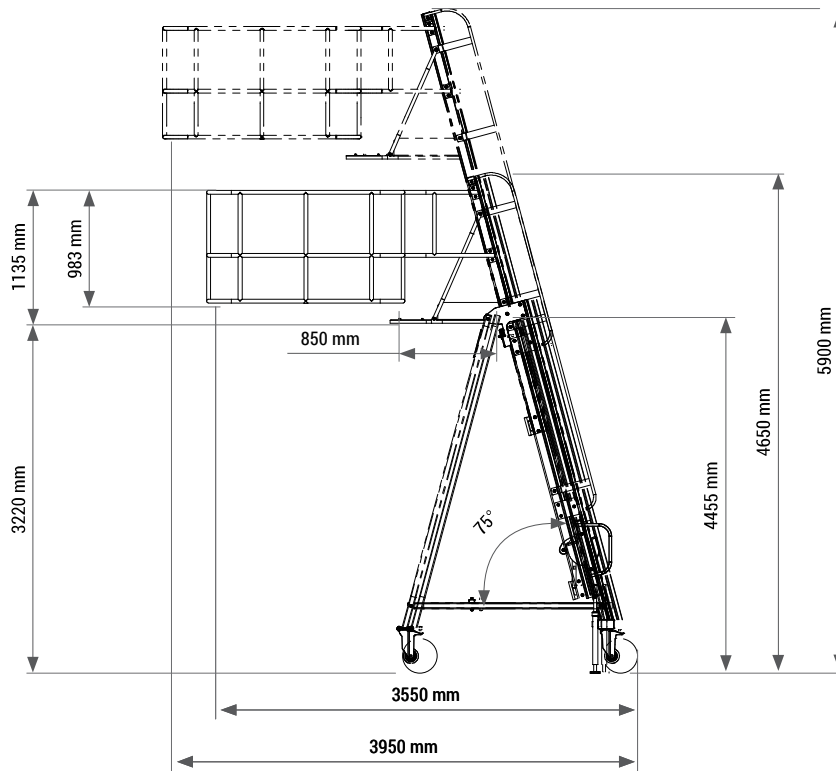
Wheels

rubber wheels,
capacity 650 kg each





Possibility of platform customization upon Customer's request.



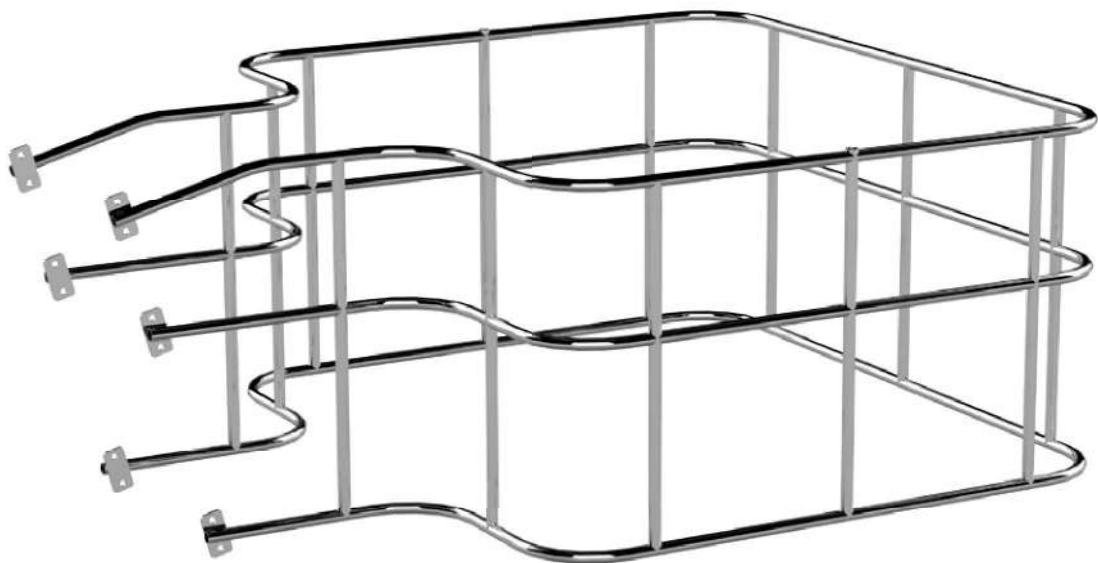
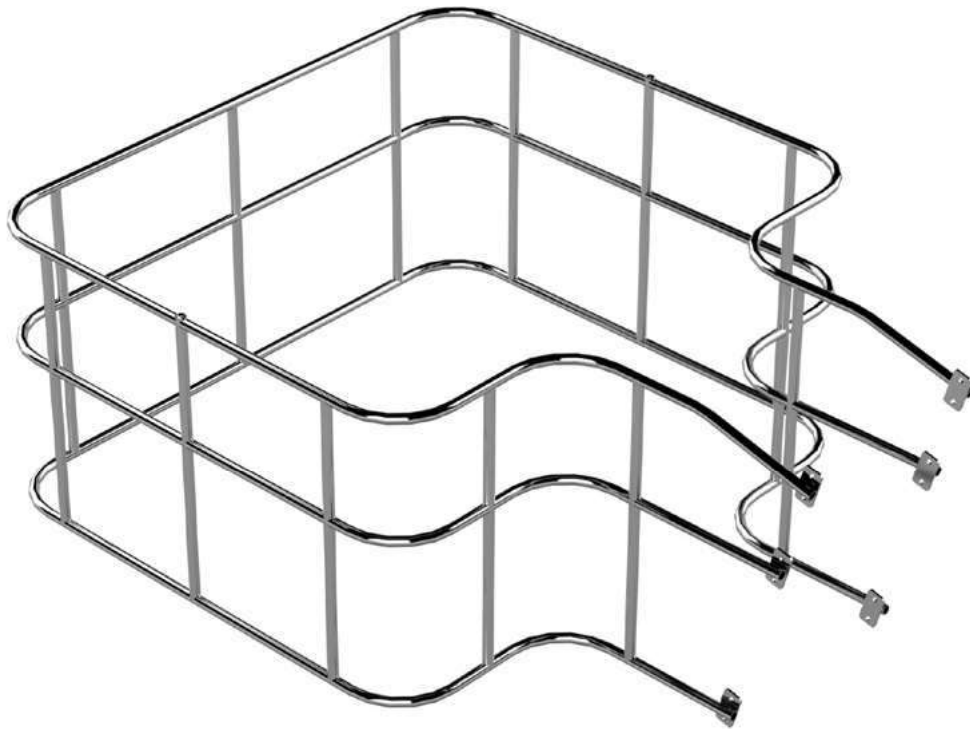
PARAMETERS

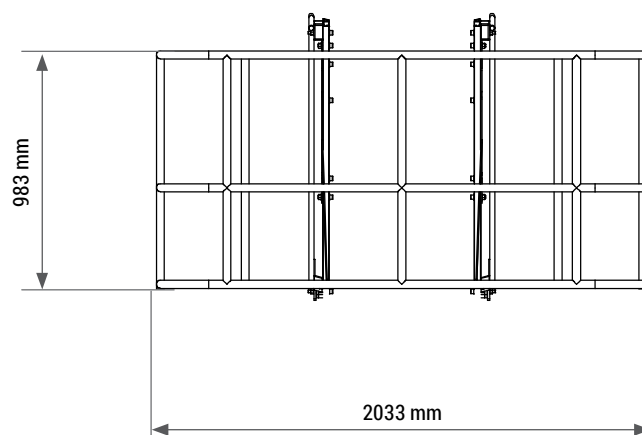
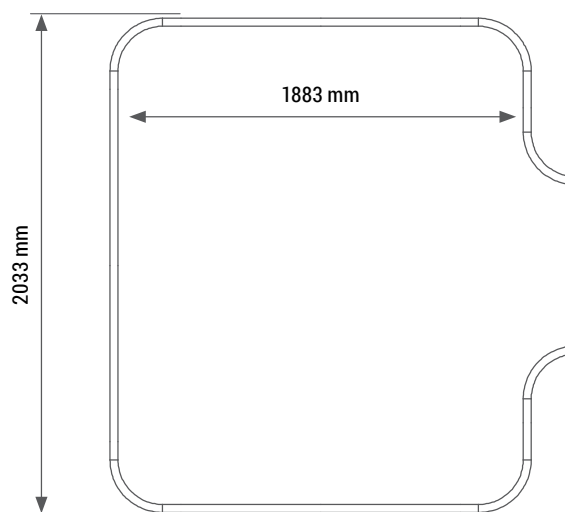
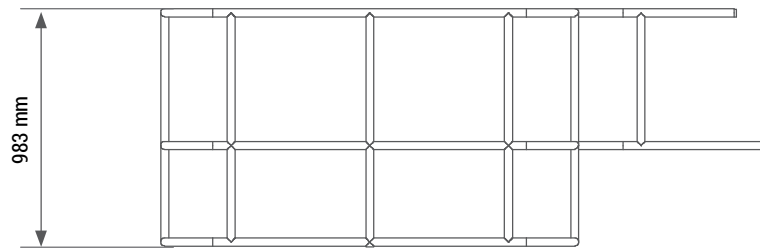
Dimensions when folded:	4,65 m x 2,65 m x 3,55 m
Dimensions when extended:	5,90 m x 2,65 m x 3,95 m
Working height:	3,22 m to 4,65 m
Maximum load:	120 kg (1 user)
Weight:	~ 170 kg

RS 300

Aluminium railing

Ref. no.: RS 300





PARAMETERS

Dimensions: 983 x 2033 x 1883 mm

Weight: ~8 kg

RS 300VC

Movable tank platform

Ref. no.: RS 300VC

FRAME WITH ANCHOR POINT

for attachment of personal fall protection equipment



ANCHOR POINT FOR PERSONAL FALL PROTECTION EQUIPMENT, E.G. WR100:

Safety basket

made from steel with rounded corners, welded

Extension ladder

aluminium, special side surface profiles, anti-slip rungs



Sliding ladder position lock

used for locking position of extension ladder against fixed ladder

Opened barrier

possibility of opening only after leaning against tank cylinder

Platform

provides safe working above object

Anti-slip rungs

Work rope

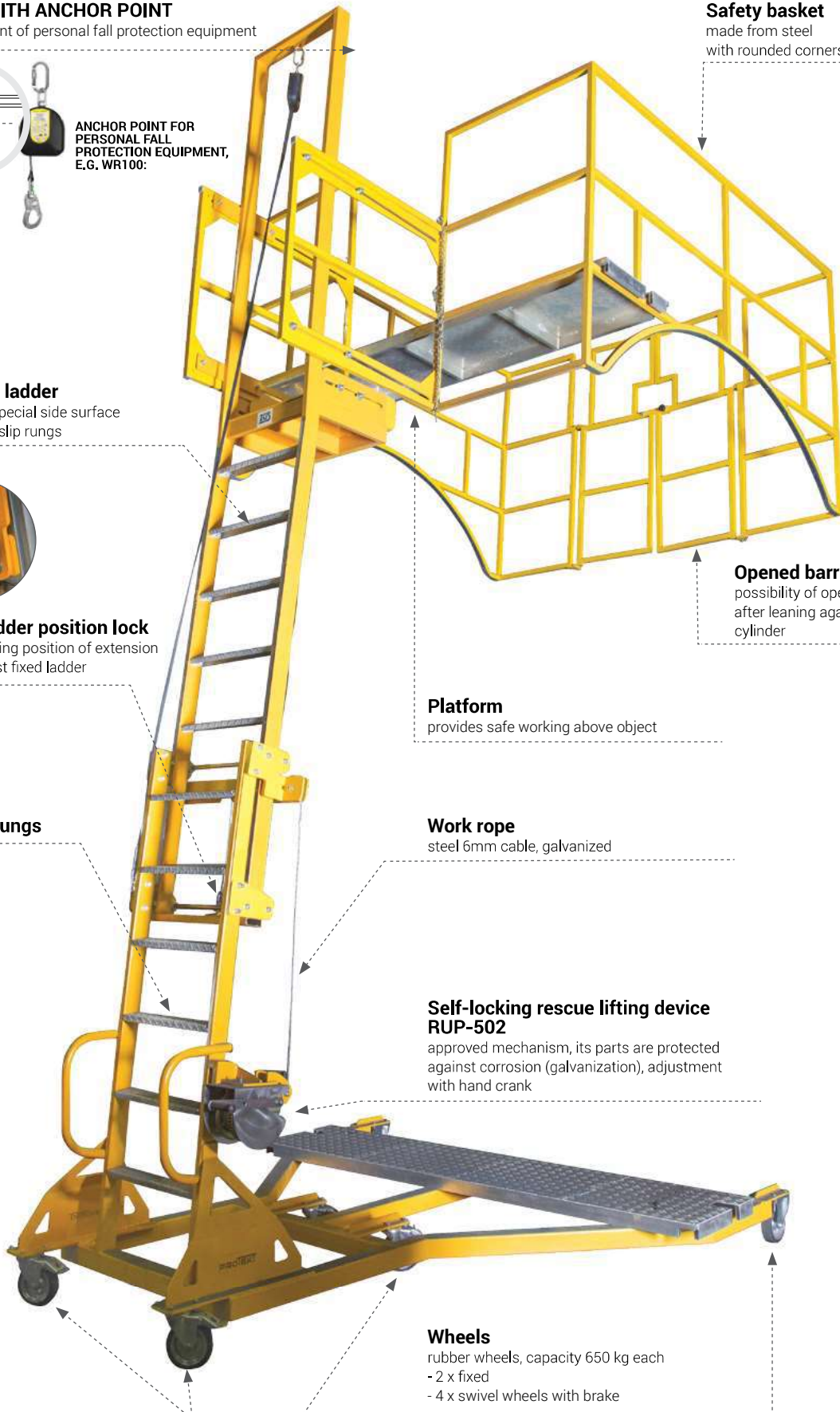
steel 6mm cable, galvanized

Self-locking rescue lifting device RUP-502

approved mechanism, its parts are protected against corrosion (galvanization), adjustment with hand crank

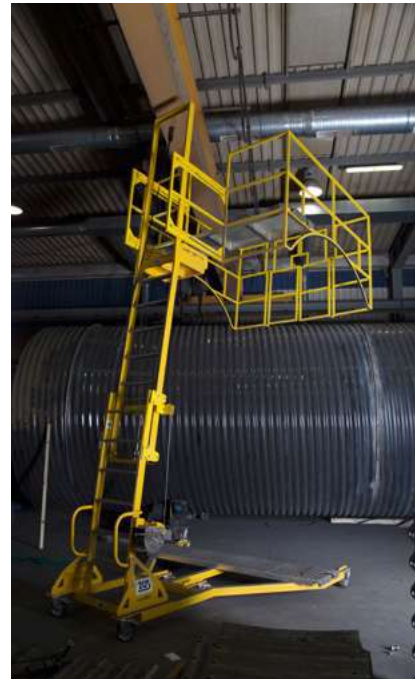
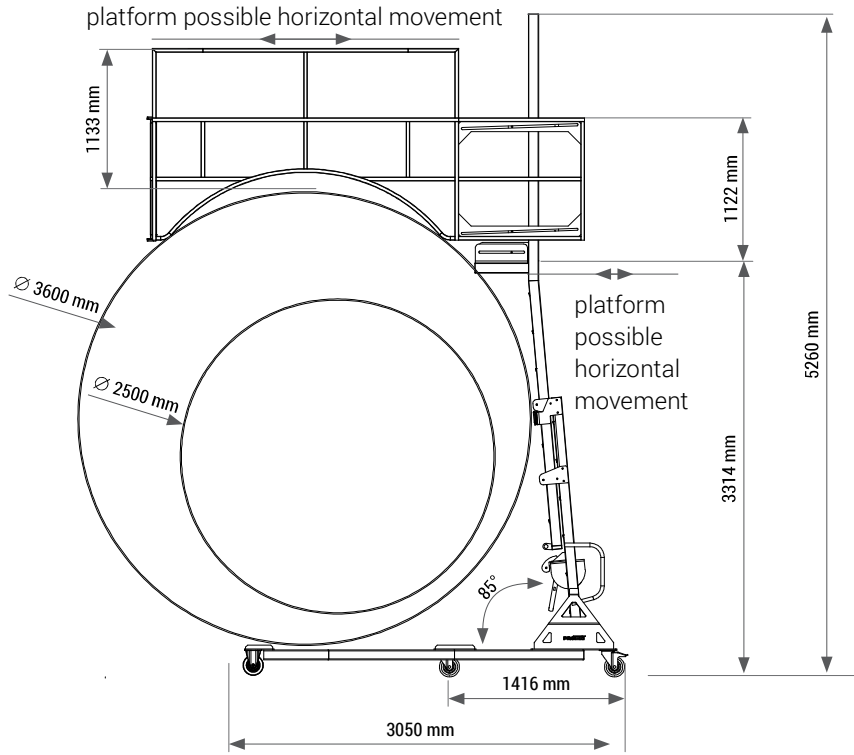
Wheels

rubber wheels, capacity 650 kg each
- 2 x fixed
- 4 x swivel wheels with brake





Possibility of platform customization upon Customer's request.



PARAMETERS

Dimensions when folded:	3,47 x 2,61 x 4,20 m
Dimensions when unfolded:	3,74 x 2,61 x 5,65 m
Working height:	2,25 m to 3,70 m
Maximum load:	120 kg (1 user)
Weight:	345 kg

